

winther

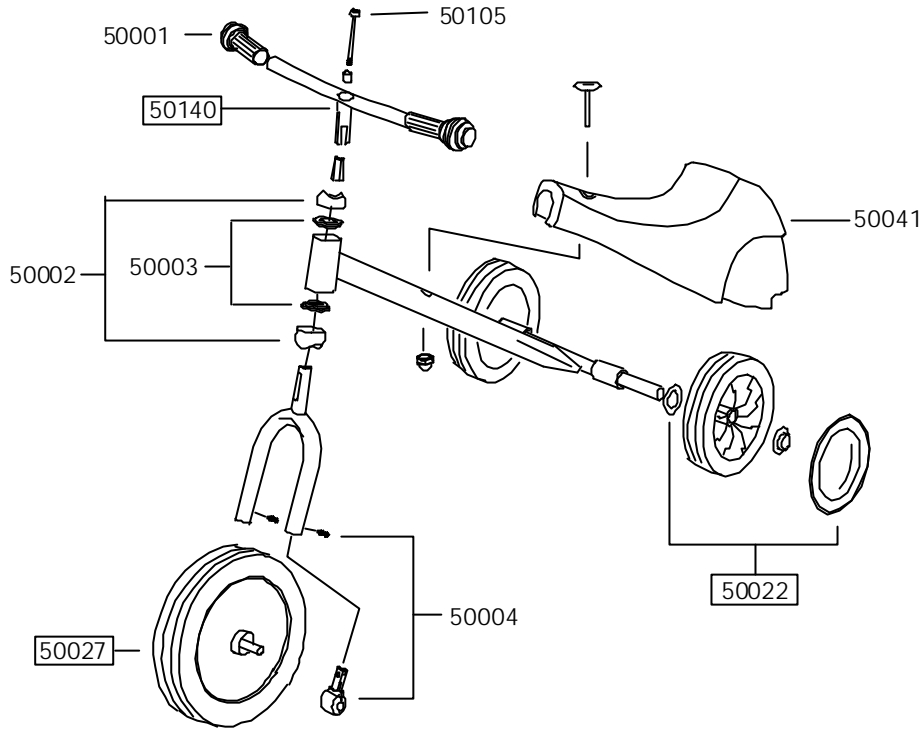
MINI-VIKING



438.20

Version 1.2

DK. Reservedele
 UK. Spareparts
 D. Ersatzteile



50001	2pcs.			
50002	1set			
50003	2pcs.			
50004	2pcs.		2pcs.	1pcs.
50105	1pcs.			1pcs.

50008	4pcs.			

